



See Pages 2 through 12 for Assembly Instructions

**Full Kit - Pre-Cut - 1 3/8", 1 1/2", 1 5/8", 1 3/4", 1 7/8" and 2"**

**Each Kit contains:**

- Pre-cut pieces of painted (white) extruded aluminum to create the WalkThru feature.
- Pre-cut continuous aluminum piano hinge. (White)
- One recessed paddle handle for commercial installations.
- One lever doorknob in satin chrome finish for residential installations.
- One security deadbolt in satin chrome finish for residential installations.
- Forty feet of white bristle weather-strip.
- One hundred each aluminum and steel/aluminum rivets. (White)
- One door closer for commercial installations.
- One check chain.
- Assembly instructions.

We precut our product to meet the specific parameters that each type of door panel requires in order for the end product to fit well. This facilitates final assembly and insures quality and consistent products.



**Features Display in Photo: (left)**

- Interior jamb side molding.
- Exterior molding.
- Interior hinge side molding.
- Continuous piano hinge.
- Lever doorknob.
- Deadbolt.
- Steel and aluminum rivets.
- Bristles weatherstrip.
- Assembly instructions.

**Full Kit - Fully assembled by Gaudet's in your panels**

In our quest to satisfy the needs of all of our customers, we extend the service of assembling our product in our customer's panels.

We have the capacity to hold inventory on behalf of the manufacturer in order to maintain the shortest lead times possible. Where the logistics permit, we have the capabilities of providing a door-to-door service.

For others, we receive and ship product by common carrier on a job-by-job basis. We are very flexible and will do all in our power to assist the manufacturers and distributors serve their customer base.



**Full Kit - Fully assembled and crated.**

We recognize that the manufacturers and distributors have customers across North America and world wide. For that reason we offer the crating service of the completed product. The completed "WalkThru Garage Door" is secured in a plywood crate ready for delivery by our staff or by common carrier.

Our crating system takes minimal space in trucks or containers. The plywood crates have proven to be the method of choice by all, as the product is well protected and identified.



ASSEMBLY INSTRUCTIONS FOR 32" WIDE  
**WalkThru** GARAGE DOOR KIT IN  
 2" POLYURETHANE CHI  
 COMMERCIAL PRODUCT #CHI-C-178-32-07

24
24
24
24

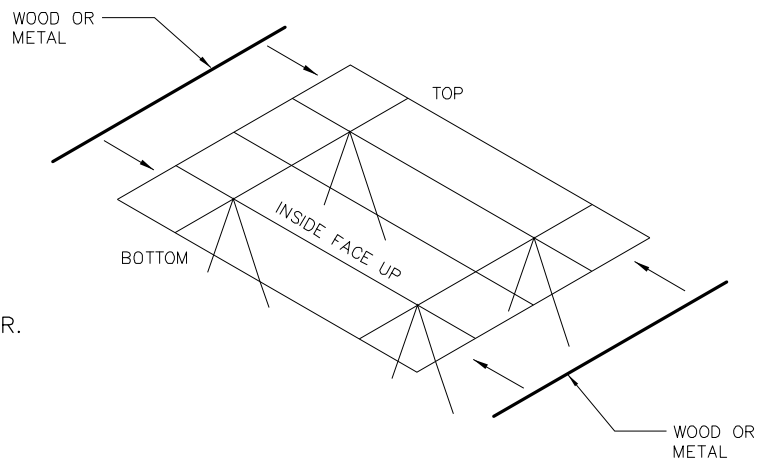
SECTIONAL DOOR:

ALL PRECUT COMPONENTS PROVIDED HAVE BEEN CUT AS BEST AS POSSIBLE TO FIT A CHI GARAGE DOOR. TRIMMING MAY BE NECESSARY TO SUIT FIELD CONDITIONS.

THE ILLUSTRATIONS ARE TO BE USED ONLY FOR REFERENCE, AS THEY WILL NOT PORTRAY ALL INSTALLATIONS.

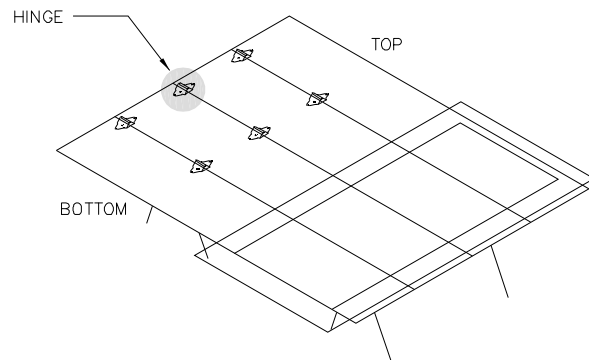
STEP 1

SET DOWN GARAGE DOOR PANELS ON TRESTLES, INTERIOR FACE SIDE UPWARD.



STEP 2

HOLD END PANELS IN POSITION WITH WOOD OR METAL BRACKETS (NO THICKER THAN DOOR PANEL) TO HOLD DOOR PANELS TIGHT TOGETHER.



STEP 3 – HINGES

SET ALL HINGES AS PER MANUFACTURER'S SPECIFICATIONS EXCEPT IN WalkThru LOCATION.

ASSEMBLY INSTRUCTIONS FOR 32" WIDE  
**WalkThru** GARAGE DOOR KIT IN  
 2" POLYURETHANE CHI  
 COMMERCIAL PRODUCT #CHI-C-178-32-07

SECTIONAL DOOR:

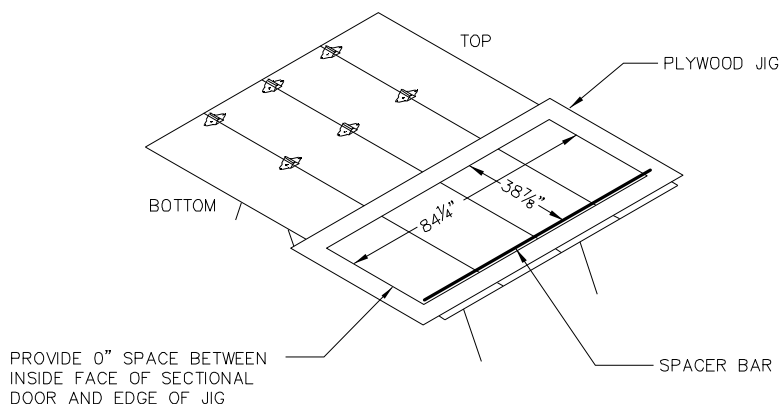
PROPOSED DIMENSIONS OF REUSABLE JIG ASSEMBLY

JIG IS COMPOSED OF A PLYWOOD CUT OUT TO BE  
 CONSTRUCTED FROM A 4'x8'x $\frac{3}{4}$ " THICK PLYWOOD  
 WITH A 39" x 84 $\frac{1}{4}$ " HOLE

STEP 4 – JIG INSTALLATION

CLAMP THE PLYWOOD JIG ON THE SECTIONAL DOOR  
 AT DESIRED LOCATION.

PLACE SPACER BAR ON INSIDE OF JIG, ON EDGE,  
 AND HOLD IN PLACE WITH STRIPS OF TAPE.  
 RESULTING IN AN OVERALL OPENING OF 36 $\frac{7}{8}$ "



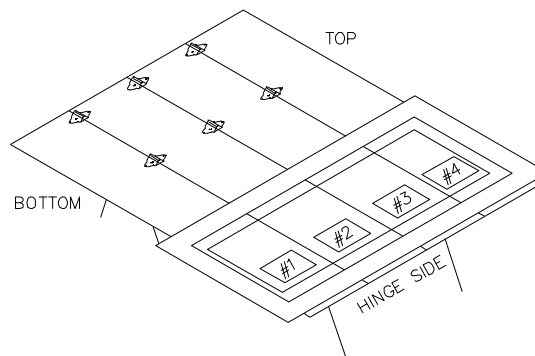
STEP 5

IDENTIFY WITH TAPE THE WalkThru SECTIONS  
 AS #1, #2, #3 & #4 ON HINGE SIDE

STEP 6 – CUTTING DOOR OPENING

IN TWO DEPTH PASSES CUT THE PERIMETER OF THE  
 WalkThru DOOR USING A PLUNGE ROUTER  
 (SET AT 10,000 RPM) WITH A 7"Ø BASE  
 AND A  $\frac{1}{2}$ "Øx2" CUT, 4 FLUTES CARBIDE END MILL.

REMOVE SPACER BAR AND IN TWO DEPTH PASSES  
 CUT AREA WHERE SPACER BAR WAS PLACED.  
 THE RESULT WILL BE A HOLE IN THE SECTIONAL  
 DOOR MEASURING 30 $\frac{1}{2}$ "x77 $\frac{3}{4}$ "



NOTE:

- FILE METAL EDGES OF ALL PANELS TO REMOVE BURRS
- INSIDE CORNERS OF PANELS 1 & 4 NEED TO BE FILED SQUARE.

ASSEMBLY INSTRUCTIONS FOR 32" WIDE  
**WalkThru** GARAGE DOOR KIT IN  
2" POLYURETHANE CHI  
COMMERCIAL PRODUCT #CHI-C-178-32-07

SECTIONAL DOOR:

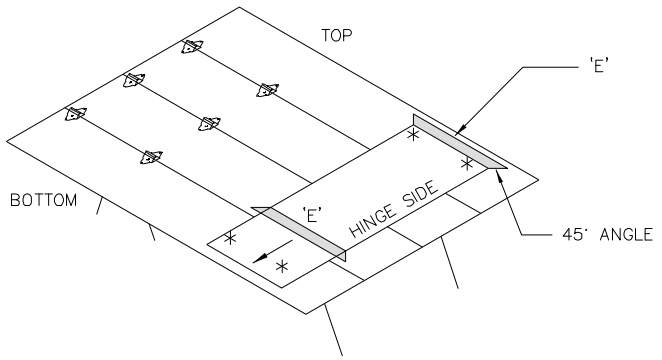
STEP 7 – MOULDINGS

LAYOUT ALL MOULDING COMPONENTS:

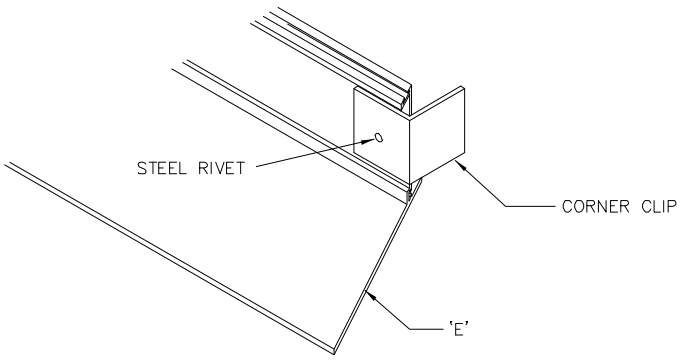
- 'A1', 'A2', 'A3', 'A4'
- 'D1', 'D2', 'D3', 'D4'
- 'E' (2)

STEP 8 – COMPONENTS 'E'

VERIFY FIT OF COMPONENTS 'E' ON SECTIONAL DOOR.



\* INSIDE CORNERS TO FILED SQUARE.

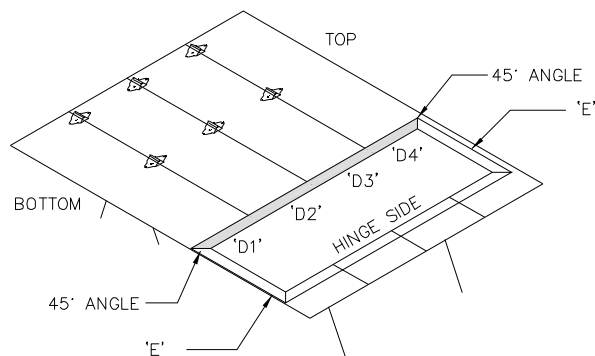
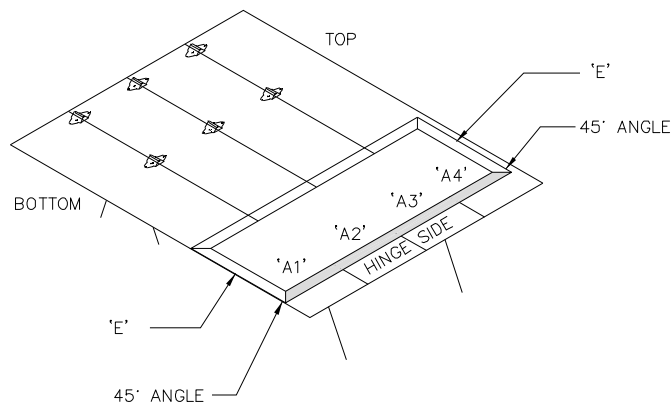


ASSEMBLY INSTRUCTIONS FOR 32" WIDE  
**WalkThru** GARAGE DOOR KIT IN  
 2" POLYURETHANE CHI  
 COMMERCIAL PRODUCT #CHI-C-178-32-07

SECTIONAL DOOR:

STEP 9 – CHECKING COMPONENTS

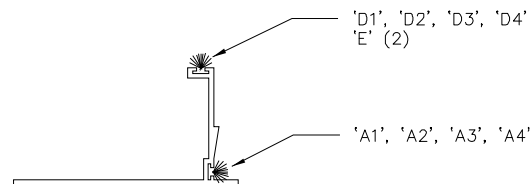
VERIFY FIT OF ALL COMPONENTS ON SECTIONAL DOOR  
 (TRIM IF REQUIRED).



STEP 10 – WEATHER STRIPPING

APPLY A SMALL AMOUNT OF SILICONE TO INSIDE OF TRACK AND  
 INSTALL WEATHER STRIPPING AS INDICATED IN DIAGRAM.

NOTE:  
 – CONSIDERATION SHOULD BE TAKEN WHEN INSTALLING WEATHER  
 STRIPPING TO MAINTAIN CONSISTENT PILE DIRECTION.



STEP 11 – RETAINERS (IF APPLICABLE)

BOTTOM AND TOP RETAINERS TO BE INSTALLED PRIOR  
 TO ATTACHING OF COMPONENTS 'E'.

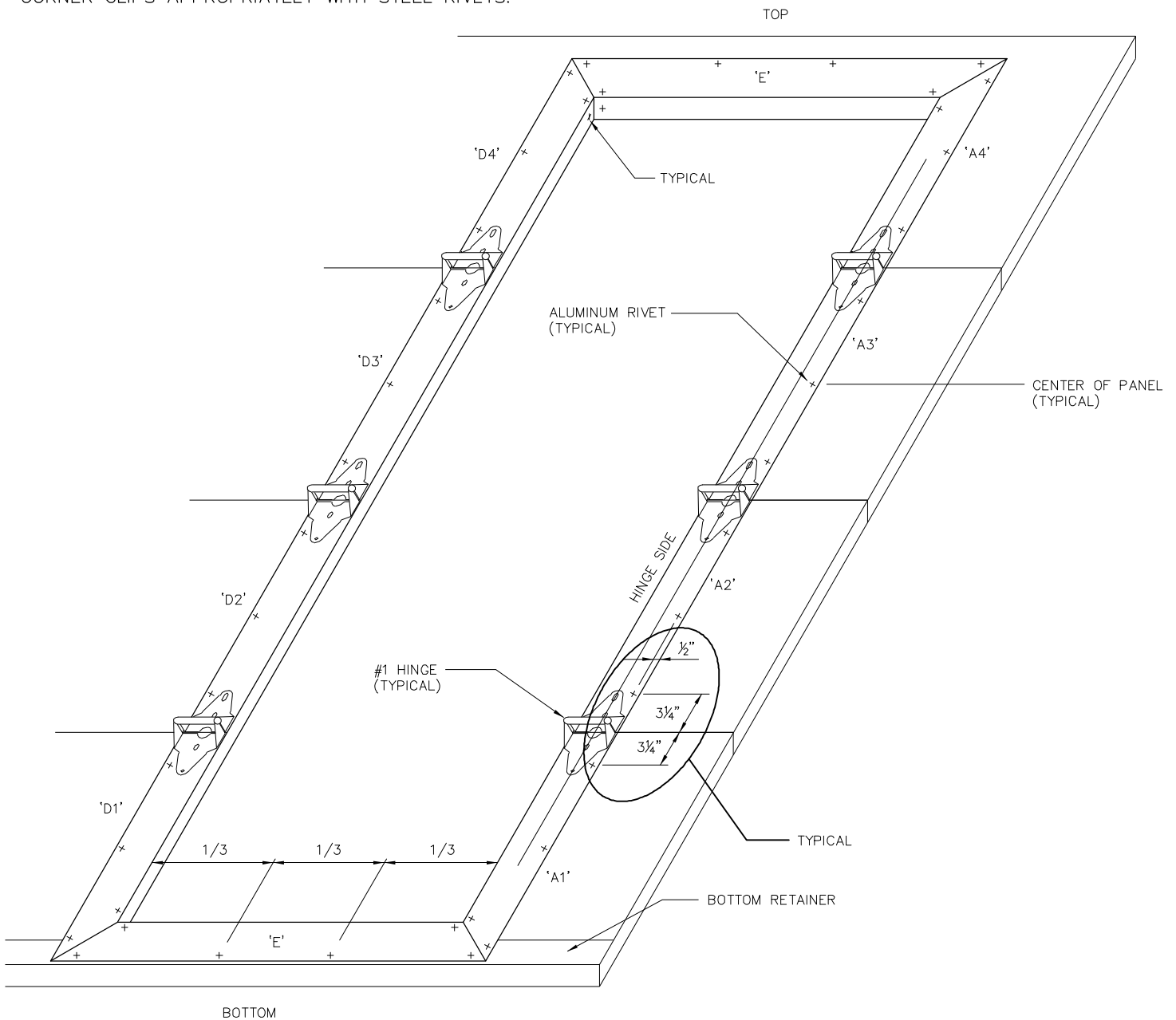
ASSEMBLY INSTRUCTIONS FOR 32" WIDE  
**WalkThru** GARAGE DOOR KIT IN  
 2" POLYURETHANE CHI  
 COMMERCIAL PRODUCT #CHI-C-178-32-07

SECTIONAL DOOR:

STEP 12 – COMPONENT ATTACHMENTS

– ATTACH ALL COMPONENTS TO SECTIONAL DOOR USING ALUMINUM RIVETS.  
 USE 1" DIA DRILL SIZE TO ACCOMMODATE ALL RIVETS.

– THE PURPOSE OF THE CORNER CLIPS IS TO  
 MAINTAIN SECURE 90° CONNECTION. ATTACH  
 CORNER CLIPS APPROPRIATELY WITH STEEL RIVETS.



ASSEMBLY INSTRUCTIONS FOR 32" WIDE  
**WalkThru** GARAGE DOOR KIT IN  
 2" POLYURETHANE CHI  
 COMMERCIAL PRODUCT #CHI-C-178-32-07

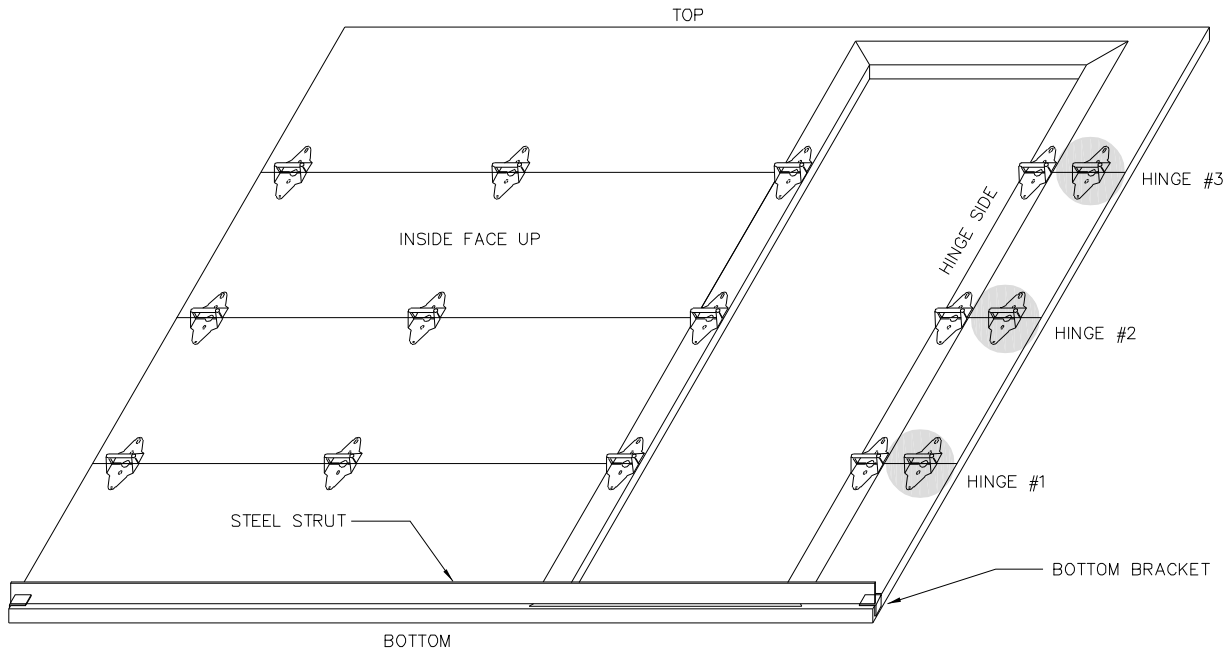
SECTIONAL DOOR:

STEP 13 – STEEL STRUTS (RECOMMENDED)

ATTACH STEEL STRUTS (EQUAL TO WIDTH OF SECTIONAL DOOR)  
 BELOW AND ABOVE THE OPENING.

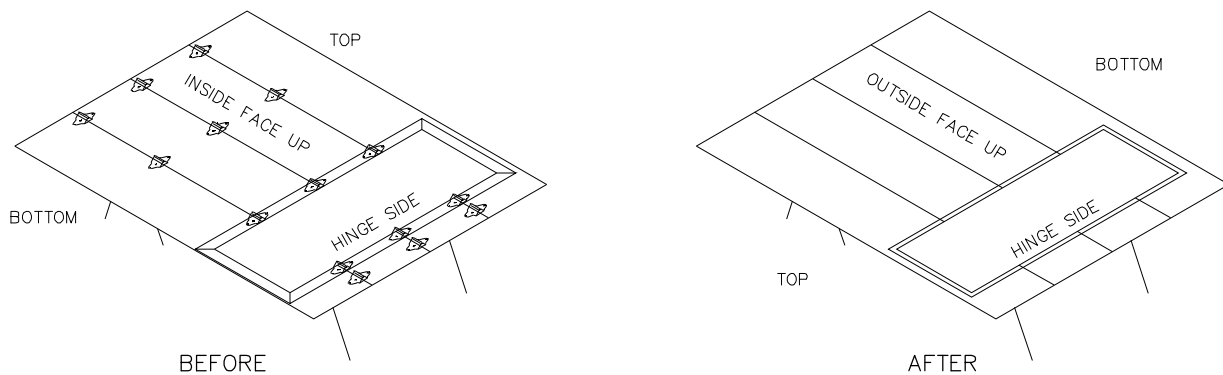
STEP 14 – HINGES/BRACKETS

INSTALL REMAINING HINGES AND BOTTOM BRACKETS TO  
 SECTIONAL DOOR AS PER MANUFACTURER'S SPECIFICATIONS.



STEP 15 – FINAL PREPARATION

FLIP SECTIONAL DOOR IN PREPARATION FOR INSTALLATION OF WalkThru DOOR



ASSEMBLY INSTRUCTIONS FOR 32" WIDE  
**WalkThru** GARAGE DOOR KIT IN  
 2" POLYURETHANE CHI  
 COMMERCIAL PRODUCT #CHI-C-178-32-07

WalkThru DOOR:

ALL PRECUT COMPONENTS PROVIDED HAVE BEEN CUT AS BEST AS POSSIBLE TO FIT A CHI GARAGE DOOR. TRIMMING MAY BE NECESSARY TO SUIT FIELD CONDITIONS.

THE ILLUSTRATIONS ARE TO BE USED ONLY FOR REFERENCE, AS THEY WILL NOT PORTRAY ALL INSTALLATIONS.

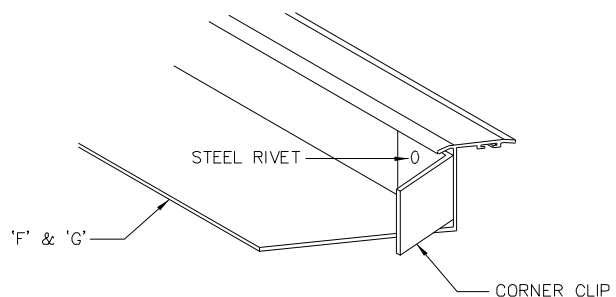
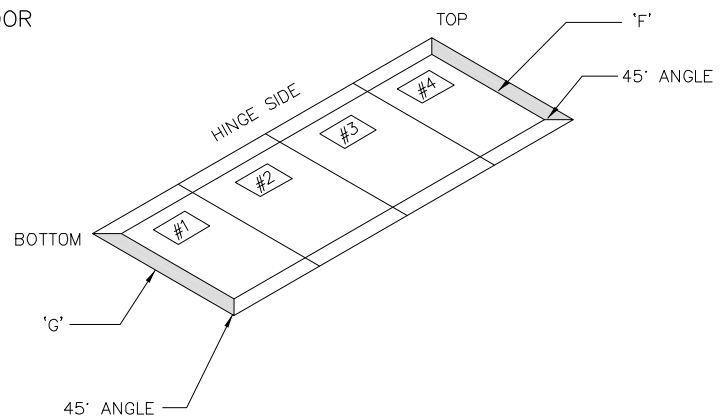
STEP 1 – MOULDINGS

LAYOUT ALL MOULDING COMPONENTS:

'B1', 'B2', 'B3', 'B4'  
 'C1', 'C2', 'C3', 'C4'  
 'F', 'G'

STEP 2 – COMPONENTS 'F' & 'G'

VERIFY FIT OF COMPONENTS 'F' & 'G' ON SECTIONAL DOOR (TRIM IF REQUIRED).



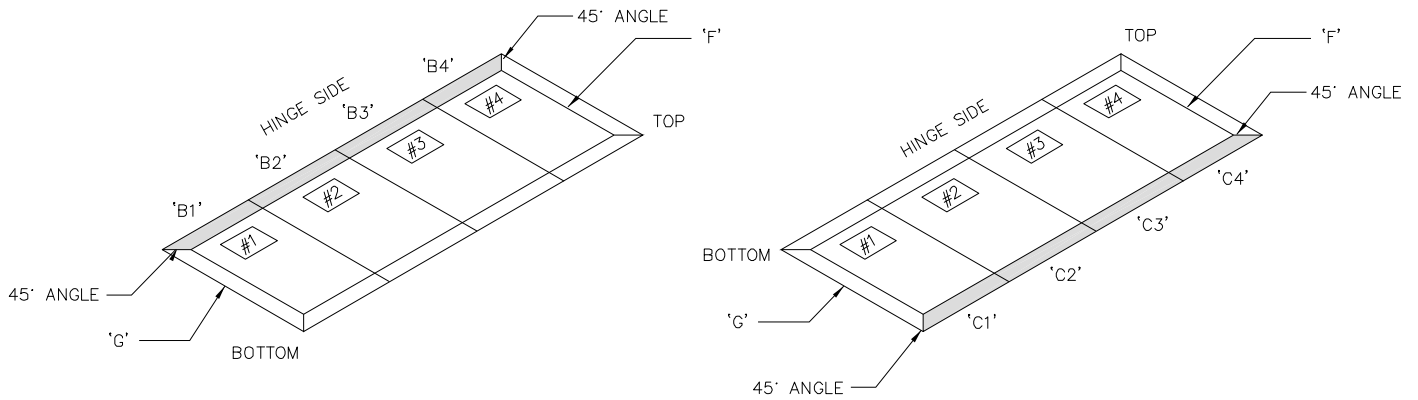


ASSEMBLY INSTRUCTIONS FOR 32" WIDE  
**WalkThru** GARAGE DOOR KIT IN  
 2" POLYURETHANE CHI  
 COMMERCIAL PRODUCT #CHI-C-178-32-07

WalkThru DOOR:

STEP 3 – CHECKING COMPONENTS

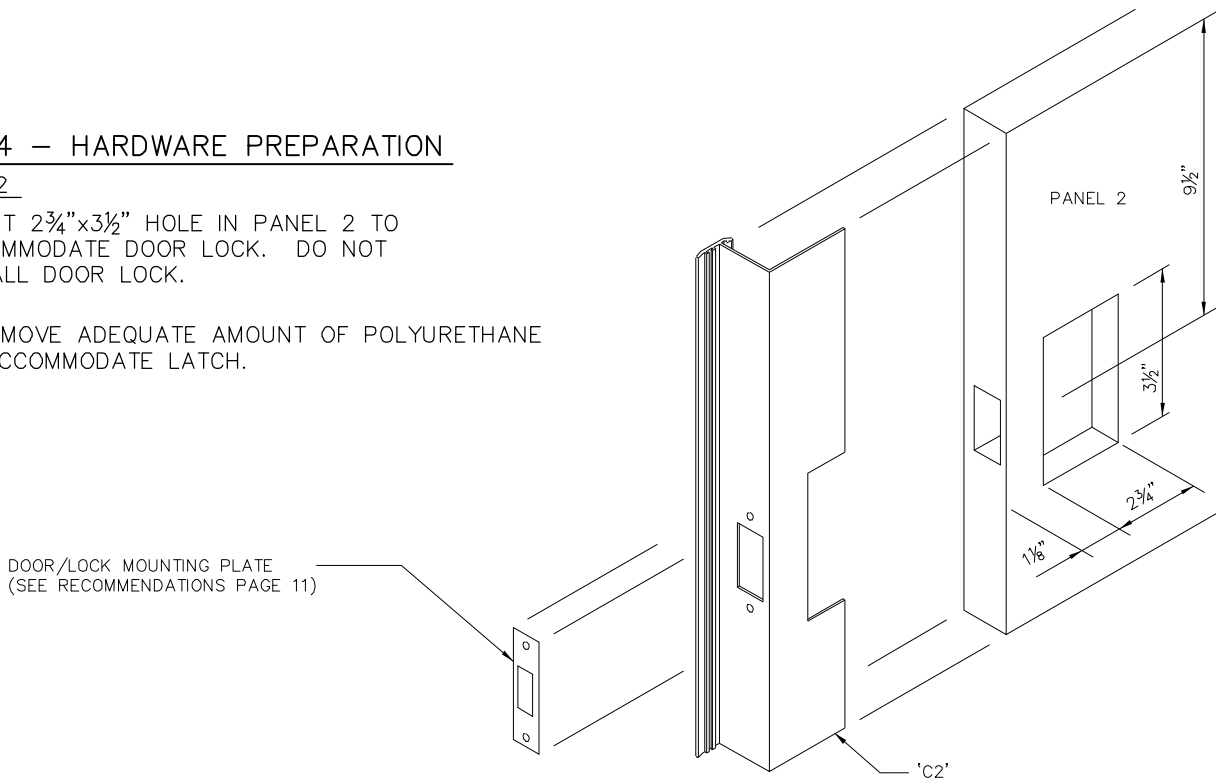
VERIFY FIT OF ALL COMPONENTS ON SECTIONAL DOOR  
 (TRIM IF REQUIRED).



STEP 4 – HARDWARE PREPARATION

PANEL 2

- CUT 2¾" x 3½" HOLE IN PANEL 2 TO ACCOMMODATE DOOR LOCK. DO NOT INSTALL DOOR LOCK.
- REMOVE ADEQUATE AMOUNT OF POLYURETHANE TO ACCOMMODATE LATCH.

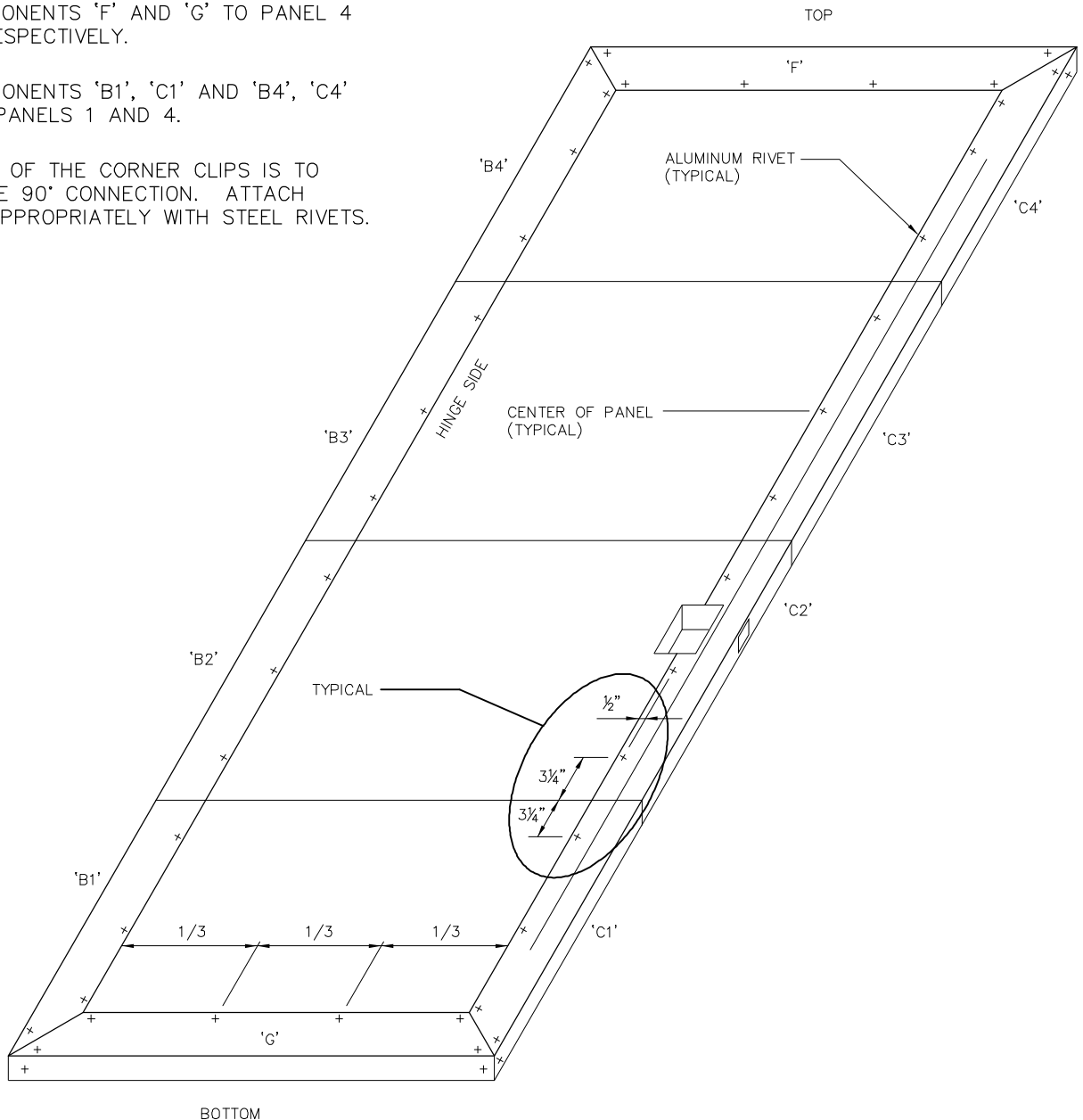


ASSEMBLY INSTRUCTIONS FOR 32" WIDE  
**WalkThru** GARAGE DOOR KIT IN  
 2" POLYURETHANE CHI  
 COMMERCIAL PRODUCT #CHI-C-178-32-07

WalkThru DOOR:

STEP 5 – COMPONENT ATTACHMENTS

- USE 1" DIA DRILL SIZE TO ACCOMMODATE ALL RIVETS.
- INSTALL COMPONENTS 'B2', 'C2' AND 'B3', 'C3' TO RESPECTIVE PANELS 2 AND 3.
- ATTACH COMPONENTS 'F' AND 'G' TO PANEL 4 AND PANEL 1 RESPECTIVELY.
- INSTALL COMPONENTS 'B1', 'C1' AND 'B4', 'C4' TO RESPECTIVE PANELS 1 AND 4.
- THE PURPOSE OF THE CORNER CLIPS IS TO MAINTAIN SECURE 90° CONNECTION. ATTACH CORNER CLIPS APPROPRIATELY WITH STEEL RIVETS.



ASSEMBLY INSTRUCTIONS FOR 32" WIDE  
**WalkThru** GARAGE DOOR KIT IN  
 2" POLYURETHANE CHI  
 COMMERCIAL PRODUCT #CHI-C-178-32-07

WalkThru DOOR:

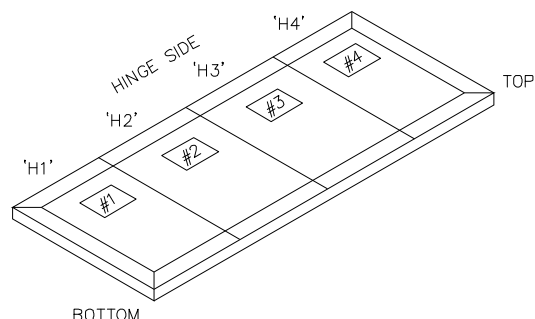
STEP 6 – PIANO HINGE

– ATTACH ALL PIANO HINGES AS INDICATED WITH STEEL RIVETS.

– COUNTERSINK HOLES AT ALL RIVET LOCATIONS TO ALLOW FOR THE RIVETS TO SINK INTO THE HINGE.

NOTE:

– THE SHORT LEG OF THE PIANO HINGE IS TO BE ATTACHED TO COMPONENTS 'B1', 'B2', 'B3', 'B4'

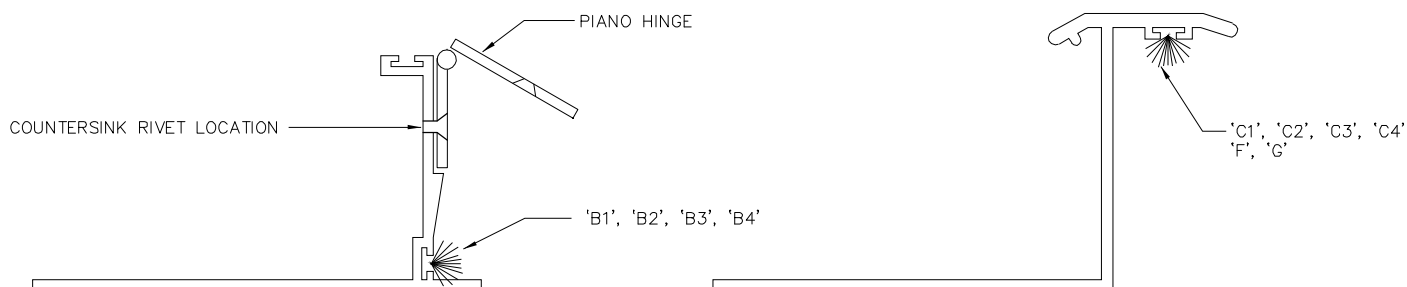


STEP 7 – WEATHER STRIPPING

APPLY A SMALL AMOUNT OF SILICONE TO INSIDE OF TRACK AND INSTALL WEATHER STRIPPING AS INDICATED IN DIAGRAM.

NOTE:

– CONSIDERATION SHOULD BE TAKEN WHEN INSTALLING WEATHER STRIPPING TO MAINTAIN CONSISTENT PILE DIRECTION.



STEP 8 – WalkThru PANEL PLACEMENT

– INSTALL PANEL 1 (OR 4) ON COMPONENT 'A1' (OR 'A4') THROUGH THE LONG LEG PIANO HINGE USING STEEL RIVETS.

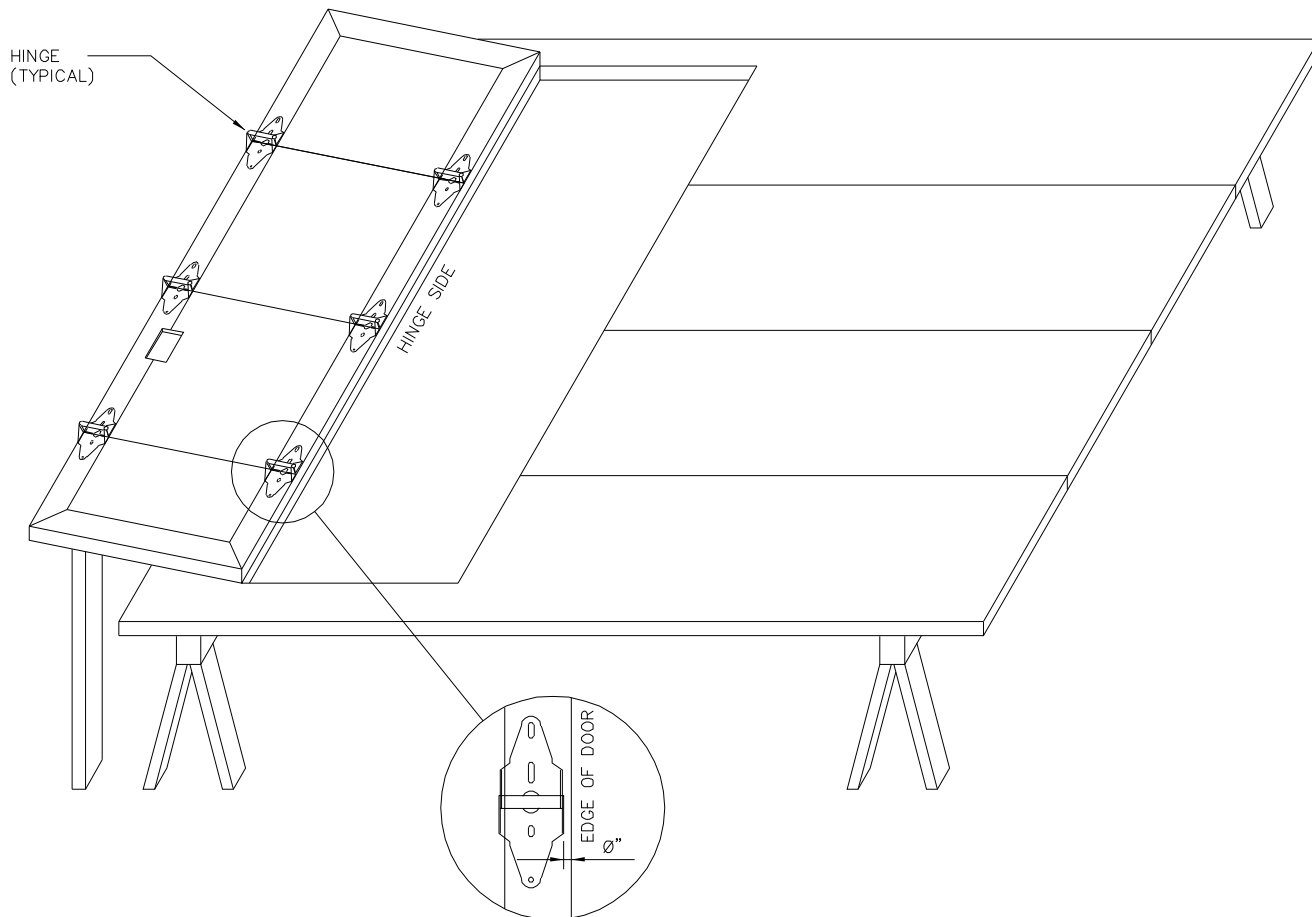
– INSTALL ADJACENT PANELS IN SIMILAR MANOR.

ASSEMBLY INSTRUCTIONS FOR 32" WIDE  
**WalkThru** GARAGE DOOR KIT IN  
 2" POLYURETHANE CHI  
 COMMERCIAL PRODUCT #CHI-C-178-32-07

WalkThru DOOR:

STEP 9 – HINGES

- INSTALL #1 HINGES (6) ON WalkThru DOOR.



RECOMMENDATIONS

AT JOB SITE:

- INSTALL DOOR HANDLE, LOCK, CHECK CHAIN OR CLOSURE.
- COMPONENT 'C2' TO RECEIVE DOOR AND LOCK LATCHES.
- ATTACH STRIKER PLATES TO COMPONENT 'D2' IN REQUIRED LOCATION TO COINCIDE WITH DOOR HANDLE AND LOCK.

STEP – 10 FINAL PREPARATION

- REMOVE WOOD OR METAL BRACKETS ON SIDES OF SECTIONAL DOOR AND POSITION DOOR AS ILLUSTRATED. SECURE A PIECE OF WOOD TO SECTIONAL DOOR FOR EASE OF TRANSPORTATION.

